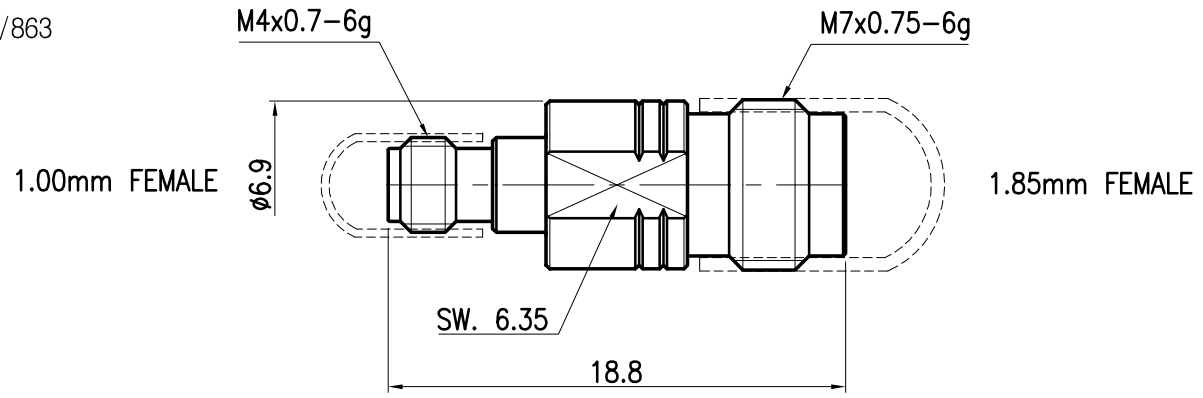


NOTE

1. Specification
  - 1.1 Frequency range : DC ~ 67GHz
  - 1.2 Impedance : 50 Ohm Nom.
  - 1.3 VSWR : 1.25 Max.
  - 1.4 Operating temperature : -45°C ~ 125°C
2. Material and Finish
  - 2.1 Body : Passivated Stainless steel
  - 2.2 Bush : Gold plated Brass
  - 2.3 Center contact : Gold plated Beryllium copper
  - 2.4 Insulator : Ultem 1000
  - 2.5 Dust cap : PVC Rubber
3. RoHs Compliance : Directive (EU) 2015/863

REV	DESCRIPTION	DATE	ECO	APPR
A	Register drawing	21. 4.15		<i>Patrick, Cho</i>



UNLESS OTHERWISE SPECIFIED, DIMENSIONS ARE IN MILLIMETERS AND TOLERANCES ARE :

1 PLACE DECIMAL ± 0.20 mm	2 PLACE DECIMAL ± 0.10 mm	ANGLES ± 1°	1.6 a		
------------------------------	------------------------------	----------------	-------	--	--

REMOVE BURRS. BREAK SHARP EDGES

MATERIAL <b>SEE NOTE 2.</b>	DRAWN <i>Sy Kim</i>	DATE 2021. 4. 15	TITLE <b>BETWEEN ADAPTOR 1.00mm FEMALE TO 1.85mm FEMALE</b>		
FINISH <b>SEE NOTE 2.</b>	ENGINEER <i>GK Lee</i>	DATE 2021. 4. 15			
REFERENCE	APPROVED <i>Patrick, Cho</i>	DATE 2021. 4. 15			
This document contains proprietary information and may not be reproduced or copied without the express written permission of a duly authorised representative of AplusRF		CAD FILE CAD:/ADAPTOR/1.00mm TO 1.85mm	DWG SIZE A4	SCALE N.S	SHEET 1 of 1
			DRAWING No. AD31063-102-182	REV. A	